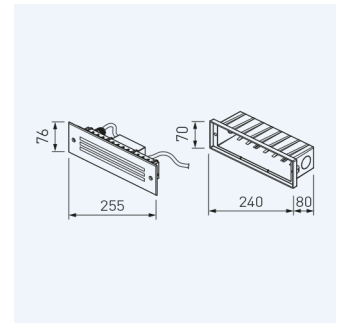


Dimensions

Product dimensions (mm)	80 x 255 x 76
Drilling hole (mm)	70 x 240

Scheme

Scheme



Product

Real power (W)	6,65
Real luminous flux (Lm)	96
Beam angle (°)	120
Life time (h)	35000
IP	65
IK	10
Electrical class insulation	Class 1
Operating temperature	from -20°C to 35°C
Electrical feeding	220..240V, 50/60Hz
Colour	Stainless steel
Energy efficiency class	A

Control gear

Control gear included	Yes
Control gear	Electronic Control Gear

Light source

Light source included	Yes
Light source	Led
Nominal power (W)	6,5
Nominal luminous flux (Lm)	113
Colour temperature (K)	3000
CRI	80

Lighting and beaconing luminaire from the TROLL family E-wall.

DESCRIPTION

Lighting and beaconing luminaire from the TROLL family E-wall setting an advanced and innovative thermal balance system through passive dissipation with stable colour temperature of 3000° K (warm white) optimised to be used as flush floor lighting and beaconing of passing areas in indoor and outdoor installations. Designed for wall recessed installed. Body built in die-cast aluminium with the frontal made of tempered glass and stainless steel finished in Polish steel. Luminaire is IP65 and IK10. Luminaire built-in an opal diffuser that could be complemented with antiglare louver with an angle beam of 120°. Luminaire sets a 7 W LED source with CRI higher than 80 % and a chromatic dispersion lower than 3 SMCD. Fixture has a luminous flux of 96 Lm, with an efficiency of Lm/W and a total consumption of 6,65 W. The average life for the luminaire is 35000 h (stabilised at a minimum flux of 70 % from the original). Luminaire built-in an auxiliary gear ON/OFF fed at 220-240V; 50/60 Hz.

Item code	11.5000.0032.20
Product type	OUT
Category	Recessed
Family	E-Wall
Subfamily	E-Wall
Materials	Body built in die-cast aluminium with the frontal made of tempered glass and stainless steel.
Optical system	Luminaire built-in an opal diffuser that could be complemented with antiglare louver.
Installation instructions	Luminaire designed for wall recessed installed.

Pictograms

